



## *Illustrated Parts List*



Questions? Help is just a moment away!

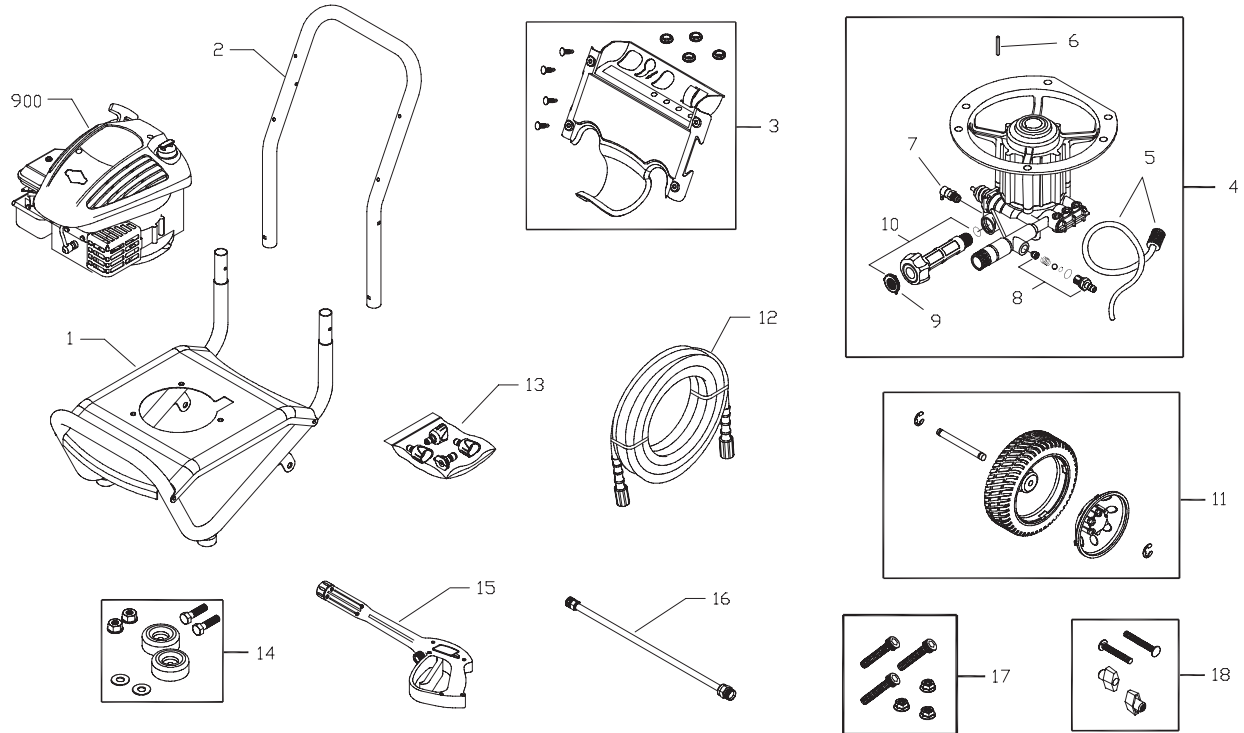
Call: **Pressure Washer Helpline**

**1-800-743-4115** M-F 8-5 CT

**BRIGGS & STRATTON POWER PRODUCTS GROUP, LLC**  
**JEFFERSON, WISCONSIN, U.S.A.**

Model No. 020272 (2200 PSI (151.7 BARS) Pressure Washer) Manual No. 206227A Revision B (02/07/2008)

# Exploded View and Parts list — Main Unit



| Item | Part #     | Description                         | Item                          | Part #                   | Description                 |
|------|------------|-------------------------------------|-------------------------------|--------------------------|-----------------------------|
| 1    | 202791GS   | ASSY, Base                          | 14                            | 192310GS                 | KIT, Vibration Mount        |
| 2    | Y199110GS  | HANDLE                              | 15                            | 204627GS                 | GUN                         |
| 3    | 202792GS   | KIT, Billboard Assy w/Decal & Clips | 16                            | 200595GS                 | EXTENSION, QC               |
|      | 195964GS   | Clips, Tree                         | 17                            | 192649GS                 | KIT, Pump Mounting Hardware |
|      | 30809GS    | Grommet                             | 18                            | B2203GS                  | KIT, Handle Connector       |
| 4    | 200200GS   | ASSY, Pump                          | 900                           | §                        | ENGINE                      |
| 5    | 189971GS   | Kit, Chemical Hose                  |                               |                          |                             |
| 6    | 23139GS    | Key                                 | <b>Items Not Illustrated:</b> |                          |                             |
| 7    | 194298GS   | Valve, Thermal Relief               | 206227GS                      | MANUAL, Operator's       |                             |
| 8    | 200279GS   | Kit, Chemical Injection             | 194256GS                      | KIT, Tag/Warning Service |                             |
| 9    | B2384GS    | Filter, Inlet                       | BB3061BGS                     | OIL BOTTLE               |                             |
| 10   | 200278GS   | Kit, Water Inlet                    | 793973                        | ASSY, Shroud/Label       |                             |
| 11   | 202483GS   | KIT, Wheel                          | 794693                        | LABEL, Warning           |                             |
|      | 201313GS   | Axle                                | 202442GS                      | DECAL, Shroud            |                             |
|      | 200520GS   | Cap, Hub                            | 87815GS                       | GOGGLES                  |                             |
|      | 192050GS   | E-Ring                              |                               |                          |                             |
| 12   | 202017GS   | HOSE                                | <b>Optional Accessories</b>   |                          |                             |
| 13   | 202181GS   | KIT, Nozzles                        | 6048                          | KIT, O-Ring Maintenance  |                             |
|      | 198841GS   | Nozzle, Soap                        | 6039                          | PUMP SAVER               |                             |
|      | 201580AEGS | Nozzle, QC, Project Pro, Red        |                               |                          |                             |
|      | 201580XGS  | Nozzle, QC, Project Pro, Orange     |                               |                          |                             |
|      | 201580RGS  | Nozzle, QC, Project Pro, Yellow     |                               |                          |                             |

§ - Contact Engine Manufacturer

Copyright © 2008 Briggs & Stratton Power Products Group, LLC. All rights reserved. No part of this material may be reproduced or transmitted in any form by any means without the express written permission of Briggs & Stratton Power Products Group, LLC.